

Combi. Cam Lock M500, "Private"



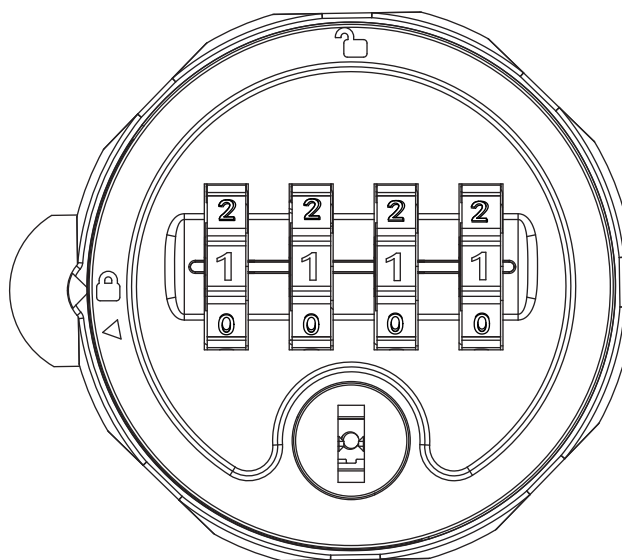
Lock position



Unlock position

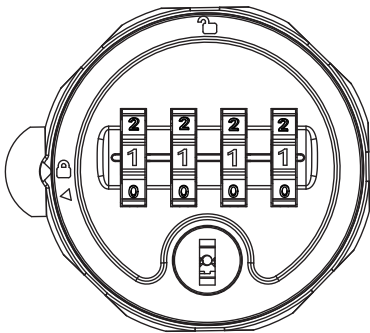


Change codes position

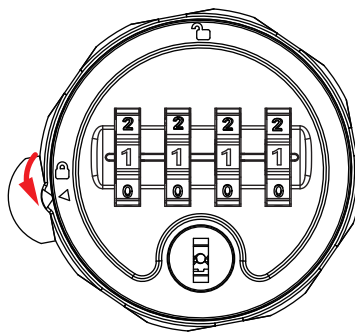


Operation Guide

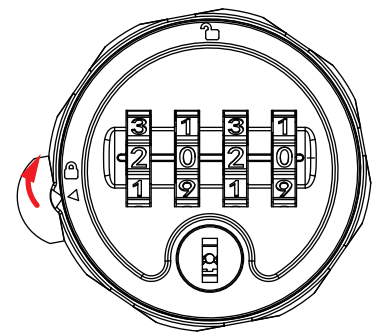
1. Change new codes



1. Enter correct current codes.
(Factory setting: 1-1-1-1)

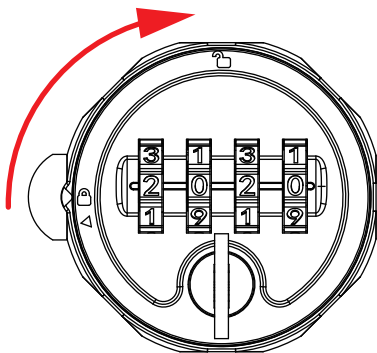


2. Rotate lock body 10 degrees
counterclockwise to "△" position.

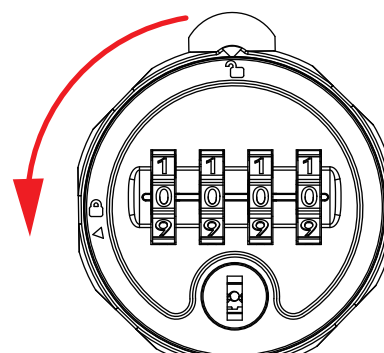


3. Turn dials to set any 4-digits
codes, then rotate the lock body
to "☞" position and back to lock
to complete new codes setting.

2. Lock and unlock

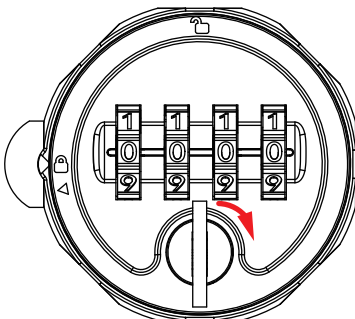


1. Enter correct codes (factory setting:
1-1-1-1), rotate lock 90 degrees
clockwise to "☞".

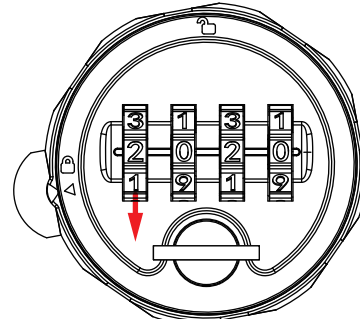


2. After using, rotate lock body 90 degrees
counterclockwise to lock, the codes will go
back to 1-1-1-1 automatically.

3. Find current codes



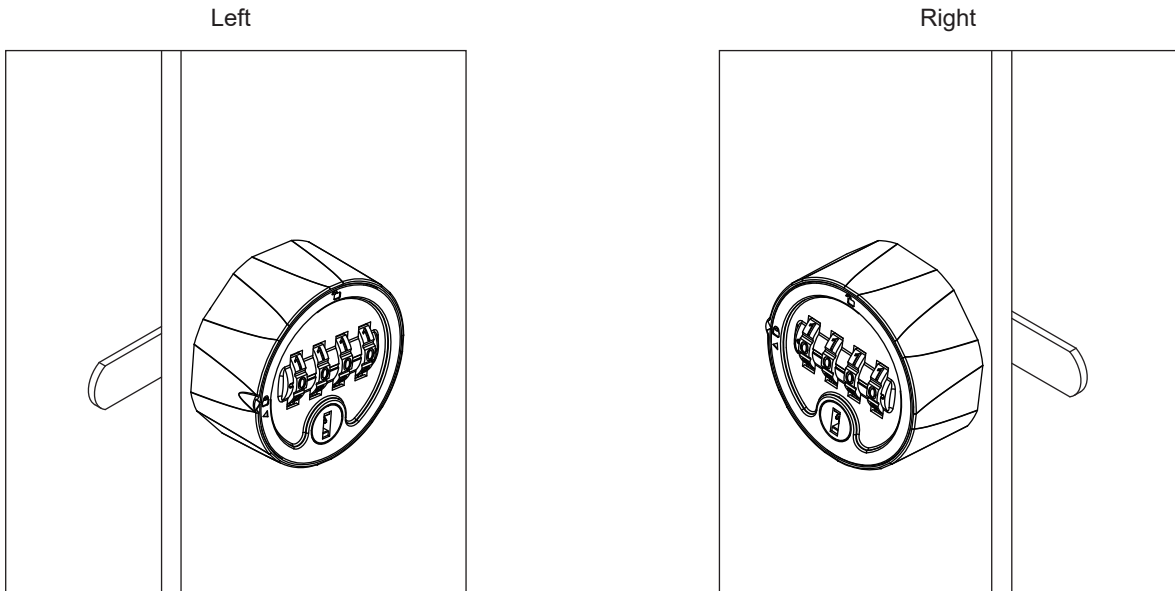
1. Insert master key and rotate 90 degrees.



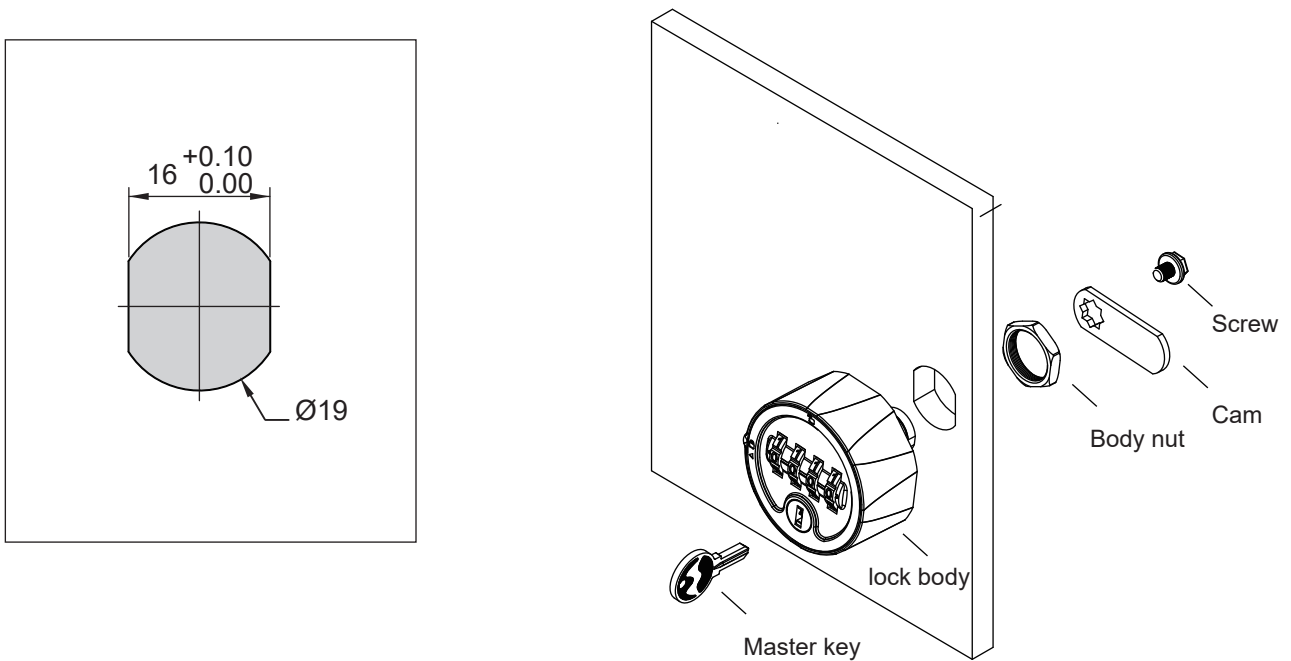
2. Turn the dials from top to bottom until
couldn't be moved on, the last numbers
displayed are the current codes. Pull out the
key to open.

Installation Guide

1. Door opening method



2. Mounting hole and components



SISO A/S

Mileparken 11 Phone: (+45) 45 830 900
DK - 2740 Skovlunde (Copenhagen) Fax: (+45) 45 830 444
Denmark E-mail: siso@siso.dk Web: www.siso.dk